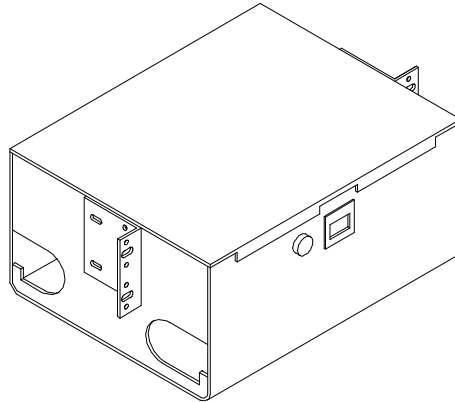


72-Port Optical Fiber Rack Mount Enclosure

558552-2



Description

The AMP 72-port, rack mount fiber enclosure offers a fully enclosed and protected enclosure for optical fiber backbone cabling as well as fiber to the desk applications. Both front and rear covers are easy-access and removable. For added security, an optional lock is available for the rear cover. Integrated fiber management rings meet current industry standard specifications.

Specification

Rack mounted optical fiber enclosures shall support up to 72 ports in a four rack unit (7") space. The enclosures shall be black in color and shall accept snap-in modules to provide the appropriate connector interface. Each enclosure shall have removable front (clear) and rear covers for installation and access. The optical fiber enclosures shall be AMP part number 559552-2.

| Part Number | Description |
|-------------|---|
| 559552-2 | Black 72 port enclosure 7.0H X 12.0W X 17.0 D |
| 559523-1 | Blank snap-in adapter plate |
| 559515-1 | 6-Fiber Multimode ST snap-in adapter plate |
| 559516-1 | 6-Fiber Multimode SC snap-in adapter plate |
| 559515-2 | 6-Fiber Singlemode ST snap-in adapter plate |
| 559516-2 | 6-Fiber Singlemode SC snap-in adapter plate |
| 1278328-3 | 12-Fiber MT-RJ snap-in adapter plate |
| 1278303-1 | MT-RJ panel jack six-pack, 50/125 |
| 1278303-2 | MT-RJ panel jack six-pack, 62.5/125 |

Materials:

Enclosure - 16 gauge steel
Label cover - polycarbonate molding compound, clear
Screws - four 12-24 zinc plated carbon steel
Labels - white index paper

Packaging:

1 unit per carton, 9.88 lbs.

Approvals:

UL, CSA

Specifications subject to change without notice.

Revised 4/00.

In the U.S. 1-800-553-0938

Canada 905-475-6222

Mexico 525-729-0400

South and Central Americas 54-11-4733-2200

www.amp.com/networking

e-mail: networking.help@tycoelectronics.com

tyco
Electronics



© Copyright 2000 Tyco Electronics Corporation. All rights reserved.
AMP and NETCONNECT are trademarks.